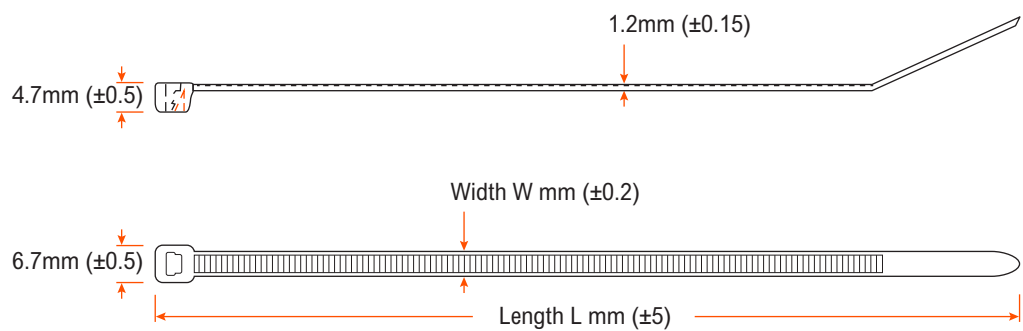
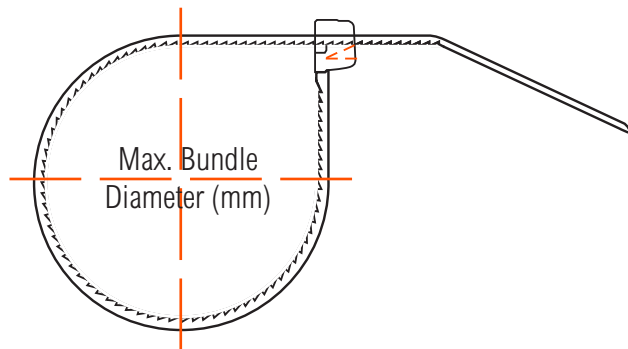
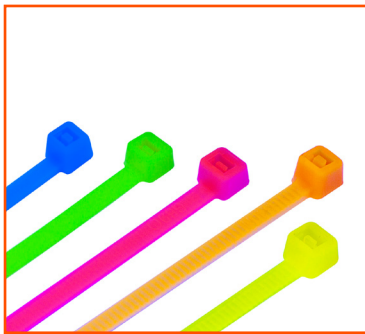


Cable Ties

Intermediate Fluorescent



Material:	UL approved Nylon 66, 94V-2. High tensile strength with low insertion force. Excellent resistance to weathering and ageing.
Feature:	Suitable for a multitude of uses in various industries.
Application:	Self-locking for fast and easy application.
Operating Temperature:	-40°C to +85°C.



Item No.	Colour	Width W (mm)	Length L (mm)	Max. Bundle Diameter (mm)	Min. Tensile Strength (kg)
CT2-FLBLUE	Fluorescent Blue	3.6	150	36	18
CT2-FLGREEN	Fluorescent Green	3.6	150	36	18
CT2-FLORANGE	Fluorescent Orange	3.6	150	36	18
CT2-FLPINK	Fluorescent Pink	3.6	150	36	18
CT2-FLYELLOW	Fluorescent Yellow	3.6	150	36	18